

# TURBO AND ACTIVE GAUGE (TAG) CONTROLLER

edwardsvacuum.com

Edwards Turbo and Active Gauge (TAG) controller is a small low cost pumping system controller, suitable for a wide range of vacuum applications and compatible with all Edwards EXT and nEXT turbomolecular pumps. The large LED display shows the pump speed or vacuum pressure and an easy to use push button interface enables ease of operation and control.

TAG controller will also run a backing pump, air vent valve an air cooler and an Edwards active gauge, making the TAG a versatile system controller.

This compact 24 V TAG controller is ideal for use on bench-tops or suitable for mobile platforms where space is limited yet functionality and reliability are essential.

NOTE: TAG controller does not contain an in-built power source. A 24 V power supply is available from Edwards or users must supply their own.



## Features and benefits

- Turbomolecular pump control capabilities
  - Turbomolecular pump start/stop
  - Display pump speed as % of full speed
  - Visual performance display; acceleration, deceleration or normal running
  - Control of a single vent valve when connected to the turbomolecular pump controller with choice of three vent modes
  - Vent when pumping speed drops below 50%
  - Controlled vent from full speed then hard vent at 50%
  - Fan mode, continuous power to the vent port so the system will not vent. Alternatively it may be used to power an air cooler connected directly to the pump
- Gauge control and display functions
  - Control of a single Active gauge: APG, AIM, ASG or WRG gauge
  - Choice of pressure display: mbar, Torr, Pascal or Volts
  - Zero adjustment/calibration of gauges
  - Use of gauge signal to start/stop the turbomolecular pump
- Backing pump control, plus more
  - TAG has the additional capability to control a backing pump
  - 24 V XDD1 may be connected directly and will share power with TAG/turbomolecular pump
  - nXDS and XDS35i pumps can be controlled by the TAG logic interface
  - Other mains backing pumps may need a relay (see instruction manual for details)
  - A single 24 V isolation valve can be controlled and powered from the TAG
  - For pumping large chambers the TAG allows delayed start of the turbomolecular pump to either a time or pressure set point

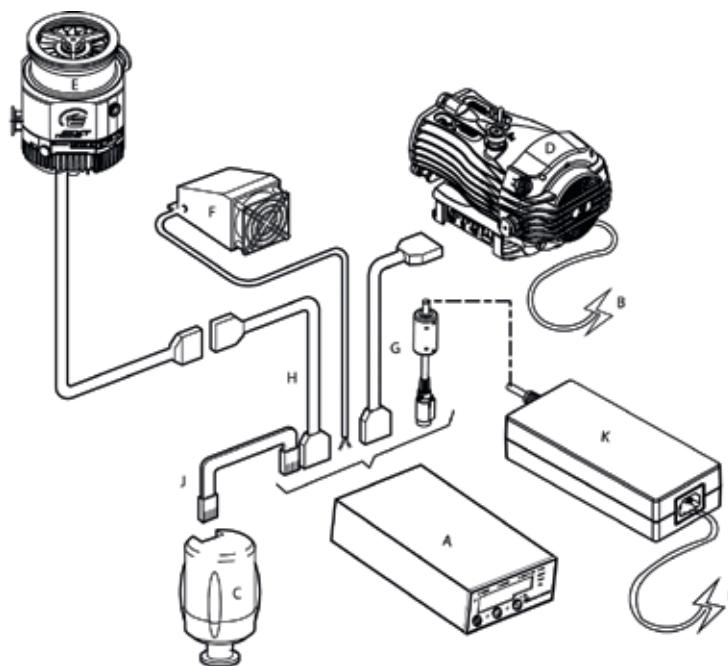
Technical data

|                                |                                |
|--------------------------------|--------------------------------|
| Max input power                | 240 W                          |
| Mains input                    |                                |
| Electrical supply              | 24 V d.c.                      |
| Power consumption (max)        | 5 W                            |
| Auxiliary terminals            |                                |
| Air cooling fan                | 24 V d.c. 3.6 W max            |
| Turbomolecular pump            | 24 V d.c. 160 W max            |
| Dimensions                     | 96 x 48 x 165 mm               |
| Mass                           | 0.3 kg                         |
| Operating temp                 | 0 to 40 °C                     |
| Storage temp                   | -30 to 70 °C                   |
| Max ambient operating humidity | 90% RH non-condensing at 40 °C |
| Max operating altitude         | 2000 m                         |
| Enclosure rating               | IP20 (IP40 when panel mounted) |

Ordering information

| Description                | Material number |
|----------------------------|-----------------|
| TAG controller             | D39592000       |
| External power supply      | D39592800       |
| Mains lead — UK plug       | D40013025       |
| Mains lead — European plug | D40013030       |
| Mains lead — US plug       | D40013120       |

- A. TAG controller
- B. Mains cable
- C. WRG-S-NW25
- D. Backing pump
- E. Turbomolecular pump
- F. Air-cooler
- G. Pump extension cable
- H. Pump extension cable (optional)
- J. Active gauge cable
- K. Power supply



GLOBAL CONTACTS

Publication Number: 3601 0206 01  
 © Edwards Limited 2016. All rights reserved Edwards and the Edwards logo are trademarks of Edwards Limited

Whilst we make every effort to ensure that we accurately describe our products and services, we give no guarantee as to the accuracy or completeness of any information provided in this datasheet.

Edwards Ltd, registered in England and Wales  
 No. 6124750, registered office: Innovation Drive,  
 Burgess Hill, West Sussex, RH15 9TW, UK.

EMEA

- UK** +44 1444 253 000  
 (local rate) 08459 212223
- Belgium** +32 2 300 0730
- France** +33 1 4121 1256
- Germany** 0800 000 1456
- Italy** + 39 02 48 4471
- Israel** + 972 8 681 0633

ASIA PACIFIC

- China** +86 400 111 9618
- India** +91 20 4075 2222
- Japan** +81 47 458 8836
- Korea** +82 31 716 7070
- Singapore** +65 6546 8408
- Taiwan** +886 3758 1000

AMERICAS

- USA** +1 800 848 9800
- Brazil** +55 11 3952 5000

